



## COURSE OVERVIEW

This Prep Course provides the foundations and knowledge needed for the LEED GA exam.

The course focuses on the tasks needed to apply LEED safely such as LEED project and team coordination, LEED certification process, analysis required for LEED credits, etc. In addition, the course covers the knowledge domains that reflect the rating system's credit categories, such as LEED process, integrative strategies, LEED credit categories and public outreach.

LEED GA is a prerequisite to all LEED AP & WELL AP certifications.

## CERTIFYING BODY



## PARTICIPANT PROFILES

- Engineers and architects
- Developers and consultants
- Facility managers and engineers
- Building owners
- Sustainability managers and consultants

## COURSE INFORMATION



Course Duration: 2 Days



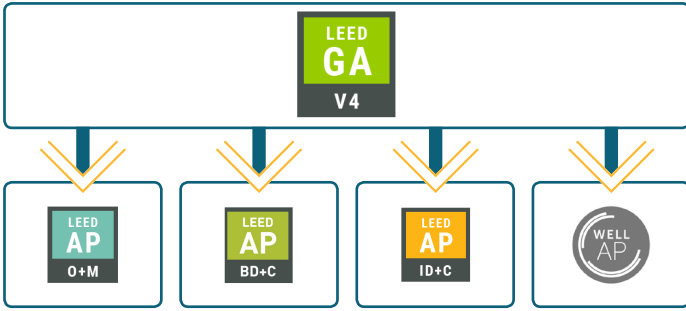
Regular Price: AED 3,300

Notes: Prices are exclusive of 5% VAT

Prices cover the course and course materials

Exam fees to be paid through USGBC website





In partnership with:

